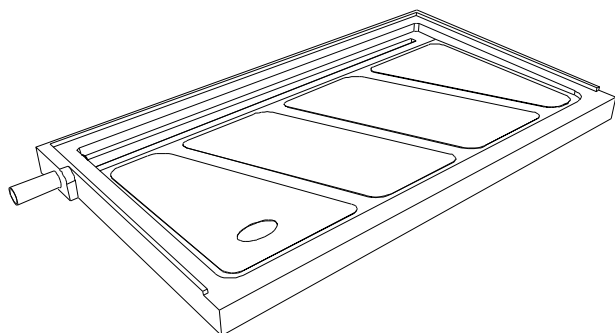


# Shower Tray Fitting Instructions

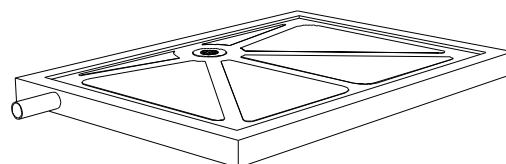


Contour Showers, Siddorn Street,  
Winsford, Cheshire CW7 2BA  
16  
CS-CPR-14527-06

HL  
PH  
EN 14428:2015  
CL 2



**DOVE, NIGHTINGALE**  
Right hand corner, left hand waste



**DIPPER**  
Right hand corner, left hand waste

**IMPORTANT: To protect shower base from being marked whilst being installed, please use a cardboard covering.**

**! WE DO NOT APPROVE THE USE OF POWER SHOWERS IN SPECIAL NEEDS SHOWER TRAYS!**

## TRAY FITTING INSTRUCTIONS

### WOODEN OR SOLID FLOOR INSTALLATION

1. Place the tray in the corner or area to which it is going to be finally positioned.
2. Before bedding tray into position, apply a weak sand and cement mix to the floor to fill any voids between the tray and the floor.
3. It is very important that the shower tray is level, using a spirit level check the flat area (around the edge of tray). This area should be level regardless of the floor level.
4. With tray finally in position, seal the tray to the walls using a silicone sealant *BEFORE* any tiles are applied to the walls.
5. Tile the walls.

**YOU ARE NOW READY TO FIT YOUR SHOWER DOORS**